



## Länsump kontrollskåp

### Benämning

Kontrollskåp för länsumpar.

### Användningsområde

Länsumpar.

### Konstruktion

Kontrollskåp för länsump Grinder med möjlighet att ansluta nivåvipor. Enfas eller trefas modell inklusive skydd för pumpen. För väggmontage.

### Tryck och temperatur

Arbetstemperatur: Omgivning -10°C/Omgivning +40°C.

### Godkännande

CE.

### Materialspecifikation

Kapsling	Plast
----------	-------

## Länspump kontrollskåp

Artnr	RSK	Typ	Pump
0633404000		ED 3 M Hs	Grinder 1400 M
0633411000		ED 2,5 T	Grinder 1800 T

## ED 3 M Hs

### GENERAL DATA

#### Applications

Electric panel for the protection and automatic operation by means of one or more floats of single-phase electropumps model GRINDER 1400 M in single installation.

#### Characteristics

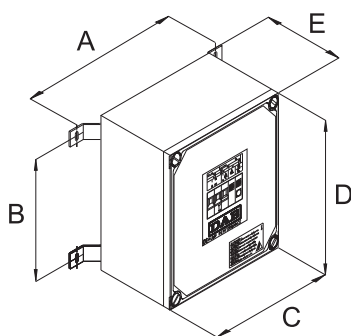
Supplied in a thermoplastic self-extinguishing box, fitted with a bracket for wall mounting. The panel is self-protected and it protects the electropump from overloads and short circuit breakers with manual reset.

Complete with:

- insulating switch of the supply line;
- automatic device for increasing static torque when starting with the possibility of regulation from 0,5 to 4 seconds (set from the constructor during the taring at 2 seconds).
- self-protected transformer for the supply at 24V of the external controls;
- terminals for connecting the electropump and the control floats minimum/maximum (or thrust meter etc.);
- terminals for connecting the alarm float and for installing a remote acoustic or luminous alarm (without potential);
- thermal protection with manual reset for connection to the KK leads from the motor;
- button in front of the panel for the manual functioning of the electropump;
- green signal in front the panel indicating the working pump.

### TECHNICAL DATA

- Supply voltage: 220 - 240 V +/- 10%
- Phases: 1
- Frequency: 50 - 60 Hz
- Rated output power: 2,95 KW 220-240 V
- Max. rated using current: 16 Ampere
- Starting capacitor: 40  $\mu$ F - 450 V
- Starting capacitor: 200-250  $\mu$ F - 320 V
- Degree of protection: IP 55
- Construction of the panels: according to EN 60204-1 and EN 60439-1



MODEL	DIMENSIONS (mm)					WEIGHT (Kg)
	A	B	C	D	E	
ED 3 M Hs	350	335	270	390	190	6,9

## ED 2,5 T

### GENERAL DATA

#### Applications

Electric panels for the protection and automatic operation by means of one or more floats of single-phase electropump Grinder 1800 T.

#### Characteristics

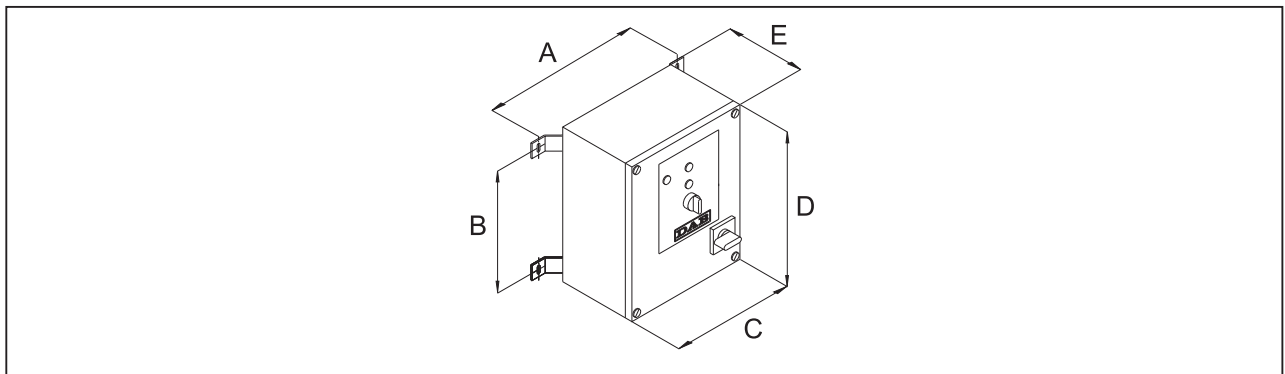
Supplied in a thermoplastic self-extinguishing box, fitted with a bracket for wall mounting. The panel is self-protected and it protects the electropump from overloads and short circuit breakers with manual reset.

#### Complete with:

- insulating switch of the supply line;
- self-protected transformer for the supply at 24V of the external controls;
- terminals for connecting the electropump and the control floats minimum/maximum (or thrust meter etc.);
- terminals for connecting the alarm float and for installing a remote acoustic or luminous alarm (without potential);
- switch in front the panel for the manual functioning - o - automatic of the electropump;
- signalling in front the panel:
  - luminous red signal which indicates the intervention of the amperometric protection;
  - luminous green signal which indicates that the pump is working;
  - luminous white signal which indicates the correct functioning of the auxiliaries circuits.

### TECHNICAL DATA

- Supply voltage: 400 V +/- 10%
- Phases: 3
- Frequency: 50 - 60 Hz
- Rated output power : 3,5 KW
- Max. rated using current : 6,3A
- Degree of protection: IP 55
- Construction of the panels: according to EN 60204-1 and EN 60439-1



MODEL	DIMENSIONS (mm)					WEIGHT (Kg)
	A	B	C	D	E	
ED 2,5 T	350	245	270	300	230	5,6